

POWER LED DIMMER- CT102

Page 1



Summarize

This product has 3 channels of output, comparable with various kinds of LED lamps and flex tapes. Achieve the soft and limitless brightness adjustment.

Operation instruction

Modes: There are four modes- Channel 1、Channel 2、Channel 3 and All Channels all bright.

Push the botton to change mode.Turn left to decrease the brightness, turn right to increase the brightness.

Totally 55 levels of brightness adjustment.

3 channels of output, suitable to control 3 diferent location from one controller .

Specification

Item	Input Voltage	Output power	Channel	power consumption	Color	Size
CT102	12~24VDC	5A	3	≤0.5W	Silver	87*87*67mm

Features

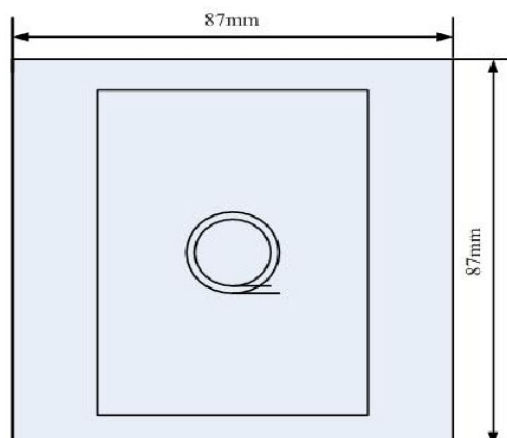
Improved circuit,light-regulating is stability,no flicker;

Delicate,soft and limitless brightness regulate;

Interference-defending circuit inside,no influence to the appliances.

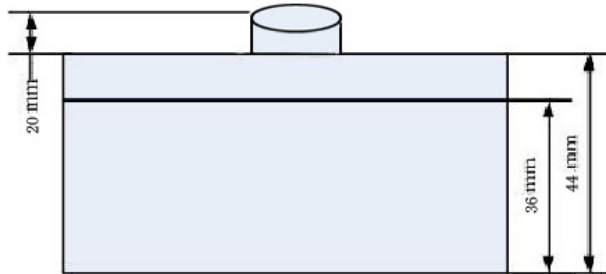
Operating Temperatrue: - 20℃ - 50℃.

Size



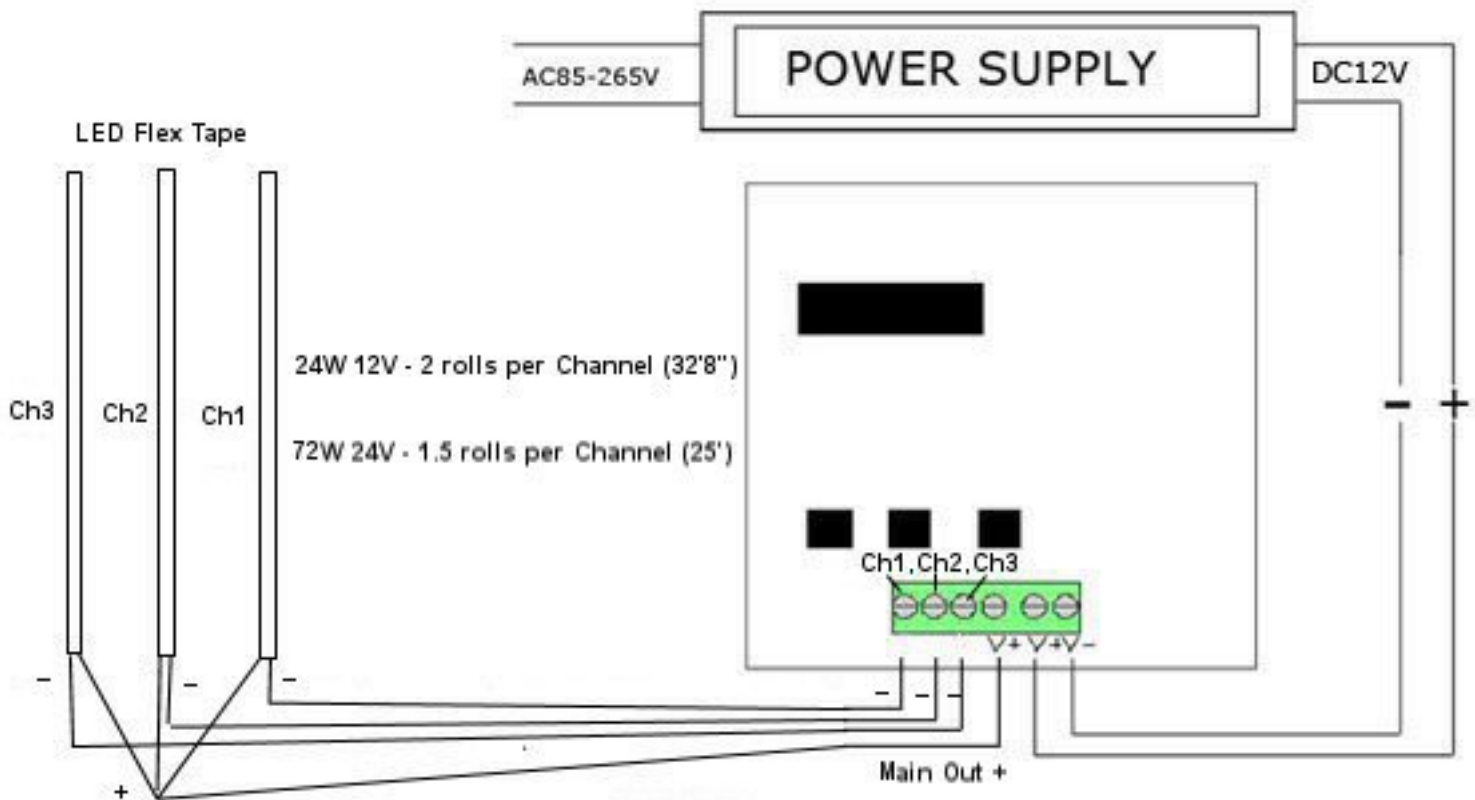
POWER LED DIMMER

Page 2



Installation

- 1、 2-core input and 4-core output. Please note the input voltage is 12~24VDC.
- 2、 Please install by electrician, select a proper location and distinguish the power wire and load wire.
- 3、 Do not install when power is on.
- 4、 Wiring



Announcements

Only test for LED, not guarantee for other use.