

LED wall WASHER

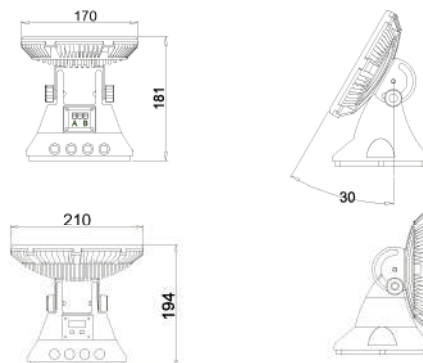
ITEM NO: NV-18/36HPL-R

INSTRUCTION OF ROUND TYPE LED WALL WASHER

This product is mainly used for decorating and highlighting in building frame, garden, etc. It can work in independent mode and DMX mode, which can generate various color changing effects, such as flashing, fading, steady, seven color jumping synchronously etc. DMX256 class gray degree dimmer, DMX programable (thousands of effects available if many lights being connected together).

A. Structure and Specification

- Size: D170* H181mm/18HPL
D210*H194mm/36HPL
- Material of Shell: Aluminum alloy
- Weight: 2.35kgs ± 5%
3.17kgs ± 5%
- Rotary angle: 150°
- Input Voltage: 100V~256V AC
- Operating Voltage: 24V DC
- Protection Rating: IP65
- Operating Temperature: -20°C~40°C



NV-18HPL-R



NV-36HPL-R



Model NO.	LED Quantity	Color	Input Power Consumption	Beam Angel	Project distance	✓
NV-18HPL-R	18 Power LEDs	R-6, G-6, B-6	23 Watts	15°/ 30°/ 45°	20m/10m/7m	
NV-36HPL-R	36 Power LEDs	R-12, G-12, B-12	55 Watts	15°/ 30°/ 45°	20m/10m/7m	

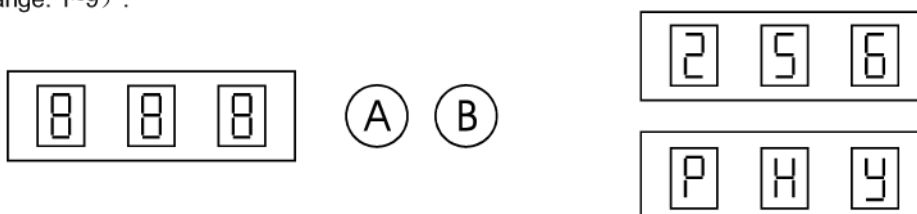
B. Working Mode:

(1) Independent mode; (2) DMX mode; (3) Master/Slave mode.

C. Function & Setup

C-1 Independent mode

After pressing **A** four times (the first three times is the setup on DMX address) or **B** directly, light enter into independent mode; the digital LEDs show **PXY**, press **A** once, active digital LEDs move backward, you can choose function via **X** and parameter via **Y**; Press **B**, the corresponding flash digital LED increases one bit (range: 1~9).



LED wall WASHER

ITEM NO: NV-18/36HPL-R

Function and parameter sheet:

X value	Y value
1-static red	1~9 class gray degree
2-static green	1~9 class gray degree
3-static yellow	1~9 class gray degree
4-static blue	1~9 class gray degree
5-static purple	1~9 class gray degree
6-static cyan	1~9 class gray degree
7-static white	1~9 class gray degree
8-multicolor changing	1~9 class speed
9-single fading	1~9 class speed
A-multicolor fading	1~9 class speed
b-multicolor flashing	1~9 class speed
C-autorun	1~9 times circle

X refers to functions (the value between 1 to C), Y refers to value of speed and gray degree for the functions (the value between 1 to 9) When pressing button, please wait for about 10 sec, then you can exit the mode of adjustment function, the digital LED stop flashing and data recorded.

C-2 DMX mode

1. DMX Addressing

When the digital LED is not flashing, press **A**, digital LED begin to flash, press **A** once, active digital LEDs moves backward, you can start to edit the second digital LED; Press **B**, the corresponding flash digital LED increase one bit (the values between 1 to 9);

2. DMX Channel instruction-3 Channels available as sheet:

CHANNEL 1		CHANNEL 2		CHANNEL 3	
Data	Function	Data	Function	Data	Function
0~255	Brightness of Red	0~255	Brightness of Green	0~255	Brightness of Blue

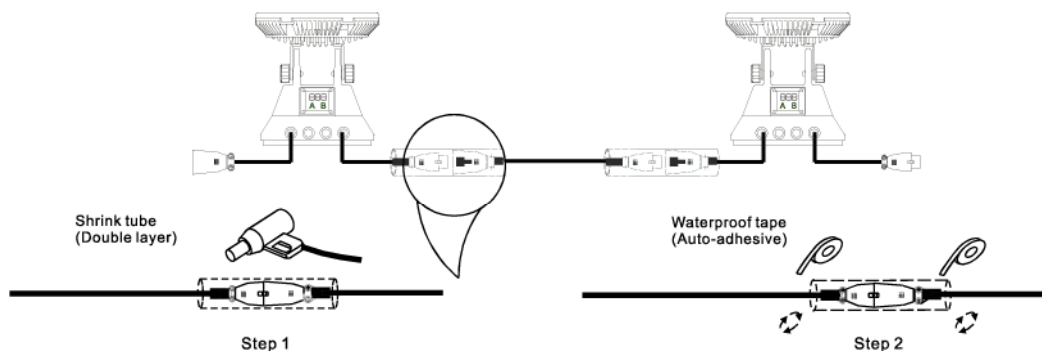
***Enter or quit DMX mode automatically once detecting valid signal!!!

C-3 Master/Slave mode

Choose any one light as the master for attaining auto online function, the operations are as below: firstly, set the address of master as 001, others are set as slave (address can be any one except 001); Change function of the master (001) light, then all lights will work synchronously;

D. Waterproof treatment

The signal output connector XL-3R and power connectors (maximum 30 fixtures) of each series must be sealed with a 20mm thermal shrinking sleeve, blow and shrink it with a hair driers, thence wrapped with waterproof tape (auto-adhesive, please refer to below instruction for operation) for waterproof purpose.



*** Power connector in the same way of treatment!!!

Caution:

1. Do not plug them into power when the product is still in package;
2. Don't use anything to cover the fixture during application;
3. Don't use this product in close environment;
4. If this product appears to be damaged, do not attempt any repair, please contact your dealer.

Warning:

- * Neglect on action of the above treatment will lead to failure of waterproof and proper working of the lights!!!
- * Make sure the ground connection well avoid electric shock, due to metal housing.