

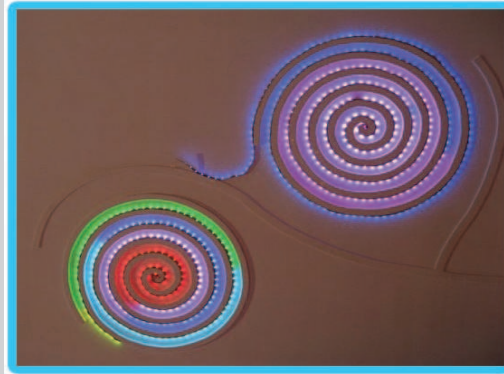


nova vision ny

Digital LED Flex Tape

LED

Light up your world with new degeneration of lighting



Model : NV-DFLT-RGB-160-5V-65W

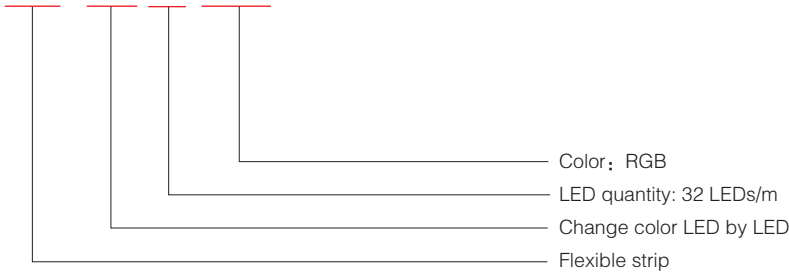
- 
- ✧Cuttable each two LEDs
  - ✧Transparent Silicone tube protection,
  - ✧UV resistant
  - ✧Color change LED by LED



RoHS

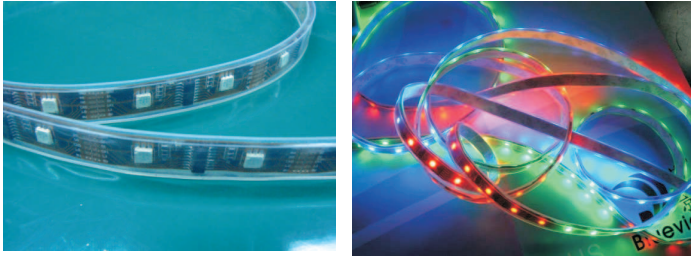


NV-DFLT-RGB-160-5V-65W



Application:

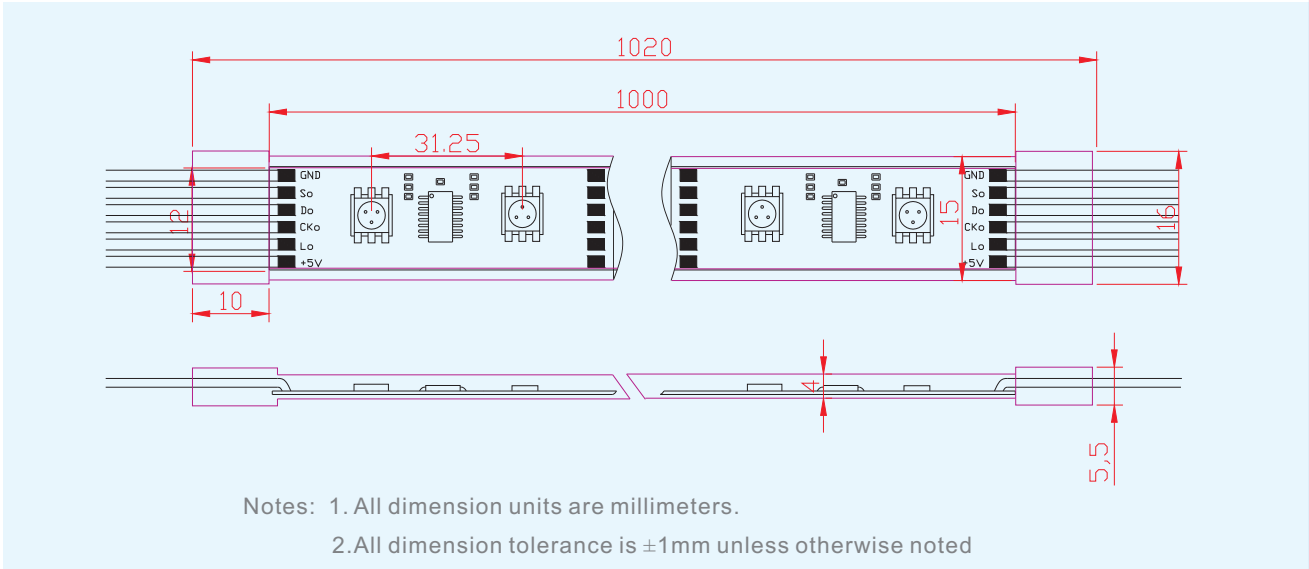
- Outdoor illuminating letter
- Outdoor light box
- Outdoor advertising sign
- Outdoor architectural decoration
- Other lighting projects



Features:

- 
- 
- 5V DC input
- Maximum gray scale could be 128\*128\*128
- IP67, transparent tube protection
- Standard length: 5m per reel
- Each two LEDs can be cut

Structure Dimensions:

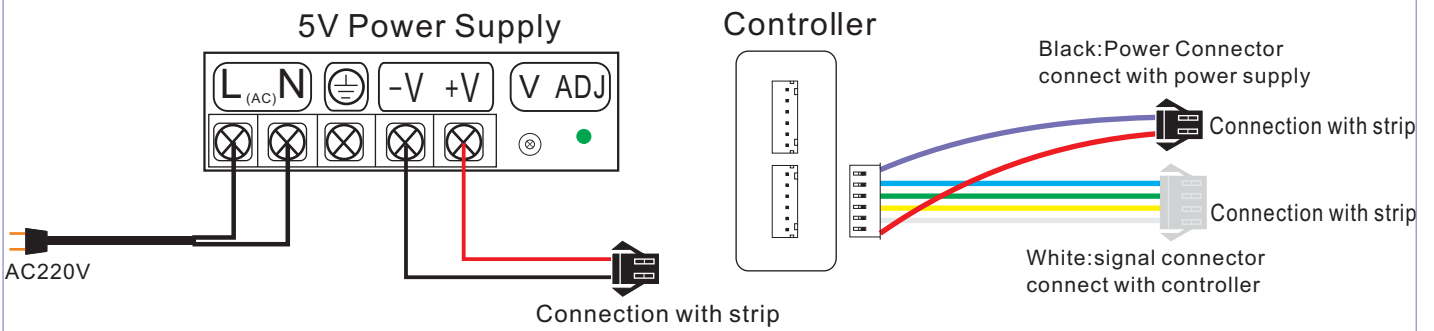


## Technical Parameter: (TA=25°C)

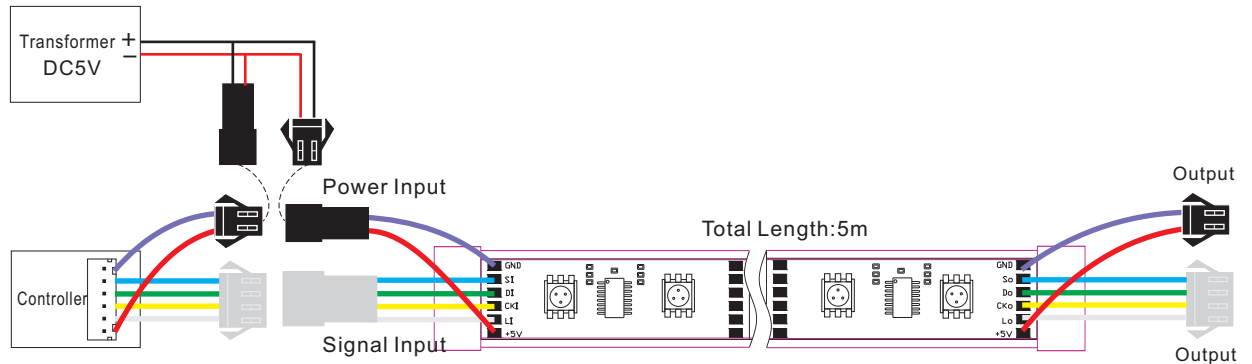
Part #	Color	Operating Voltage(V)	Current (A)	Wattage (W)	Peak Wavelength (nm)	View Angle	Size (mm)	LED Qty
							1020*16	
NV-DFLT-RGB-160-5V-65W	Red	5	≤0.64		626			
	Green	5	≤0.64		525			
	Blue	5	≤0.64		470			
	RGB	5	≤2	≤13		100°	1020*16	32

## Connection Guide:

### A. Power connector and Signal connector

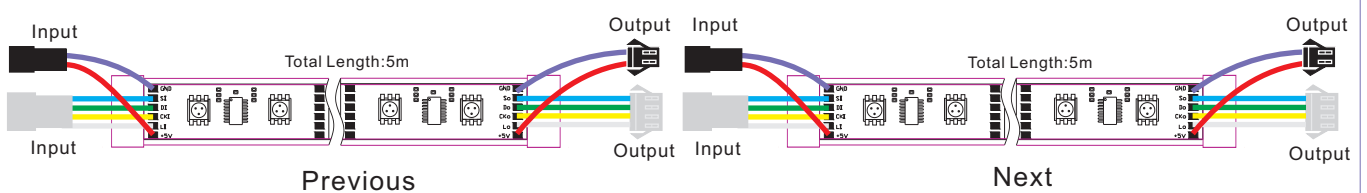


### B. Connection with power supply and controller



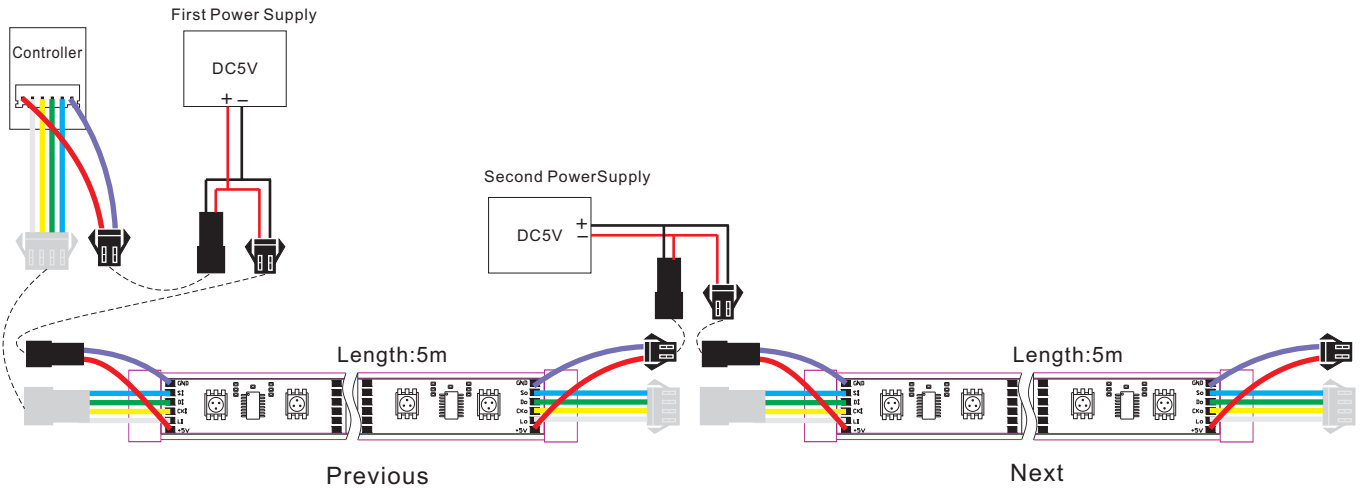
Note: Two ports each controller, each port could connect 15m for maximum

### C. Connection between several strips



### D. Connection between several power supplies:

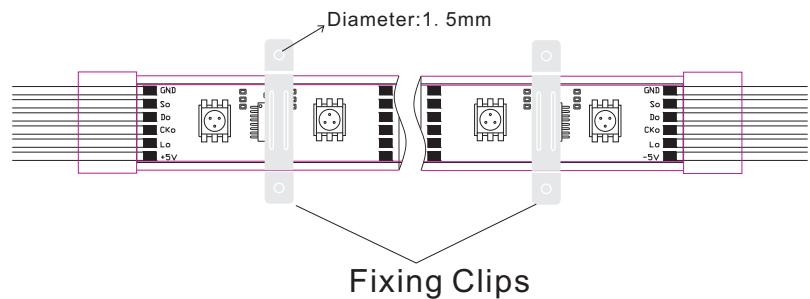
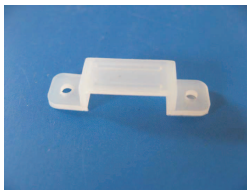
Note: Recommended length for series connection is 10m;  
if more than 10m, we suggest to use separate power supply.



### | Wattage calculation: |

Strip quantity driven by one power supply =  $\frac{\text{Wattage of power supply}}{90\% \text{ power of strip}}$   
 Take 100W power supply for example:  $(100W \div 90\%) \div 13W/m = 6.9m$ , means each 100W power supply could drive 6.9m RGB strip

### | Installation: |



### | Packing: |



Weight: 250g  
 Quantity: 5m/roll  
 Size: 24×21.5 (cm)